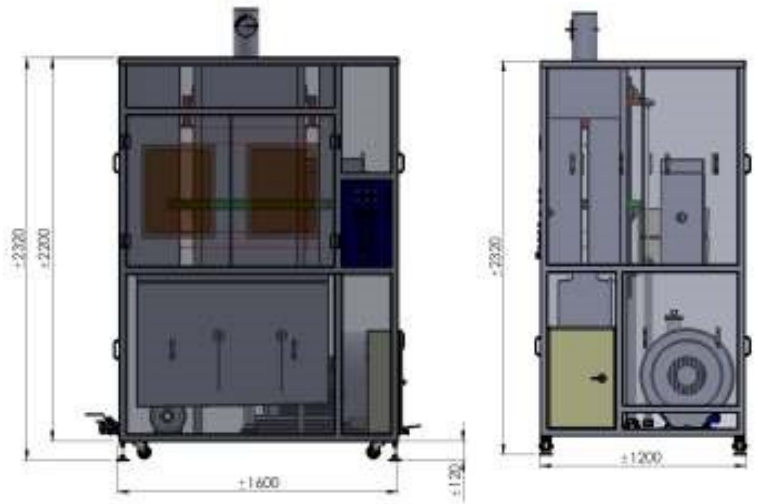
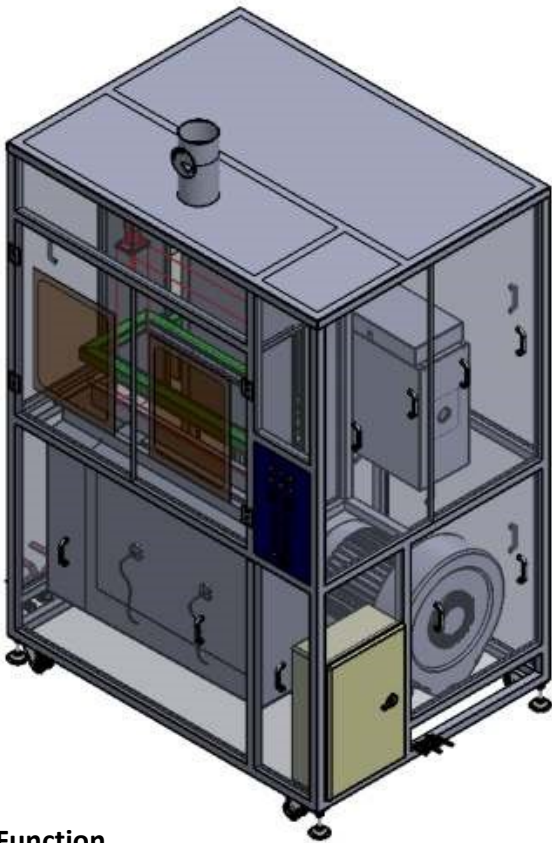


SSC-FA

SEMI-AQUEOUS



Function

The SSC-FA will be loaded from front by open swing door. STENCIL / MIS-PRINT PCBA to be clean directly positioned into Flexi-adj spring holder cater size from 650-750mm, after loading and front door closed, then activate the process cycle START. The fully automatic 2-STEP process via auto liter for ultrasonic cleaning and reciprocating hot air blow dry.

Programming / Control

SSC-FA will be controlled by PLC, the cycle time of the respective 2STEP process is freely programmable in PLC with touch screen interface for parameter setting.



TECHNICAL SPECIFICATION	SSC-FA	SSC-FAP
Overall dimension (LxWxH)	1600x950x2100mm	1600X1200X2100
Max object handle capability	H650~750mm x W750mm	H650~750mm x W750mm
Cycle time	20-30min	10-15min
Wash Tank capacity	150L	150L
Filtration	10 micron	10 micron
Ultrasonic Power / Frequency	1500W / 40kHz	1500W / 40kHz
Power Source	220-240 VAC, 1Ph	380-415 VAC, 3Ph
Framework & cover	Fully stainless steel	Fully stainless steel
Weight	500kg	600kg
Hot Air Dry	N/A	YES
Blower	N/A	YES
Compress Air	3000 LPM @ 3bar	500LPM @ 3bar